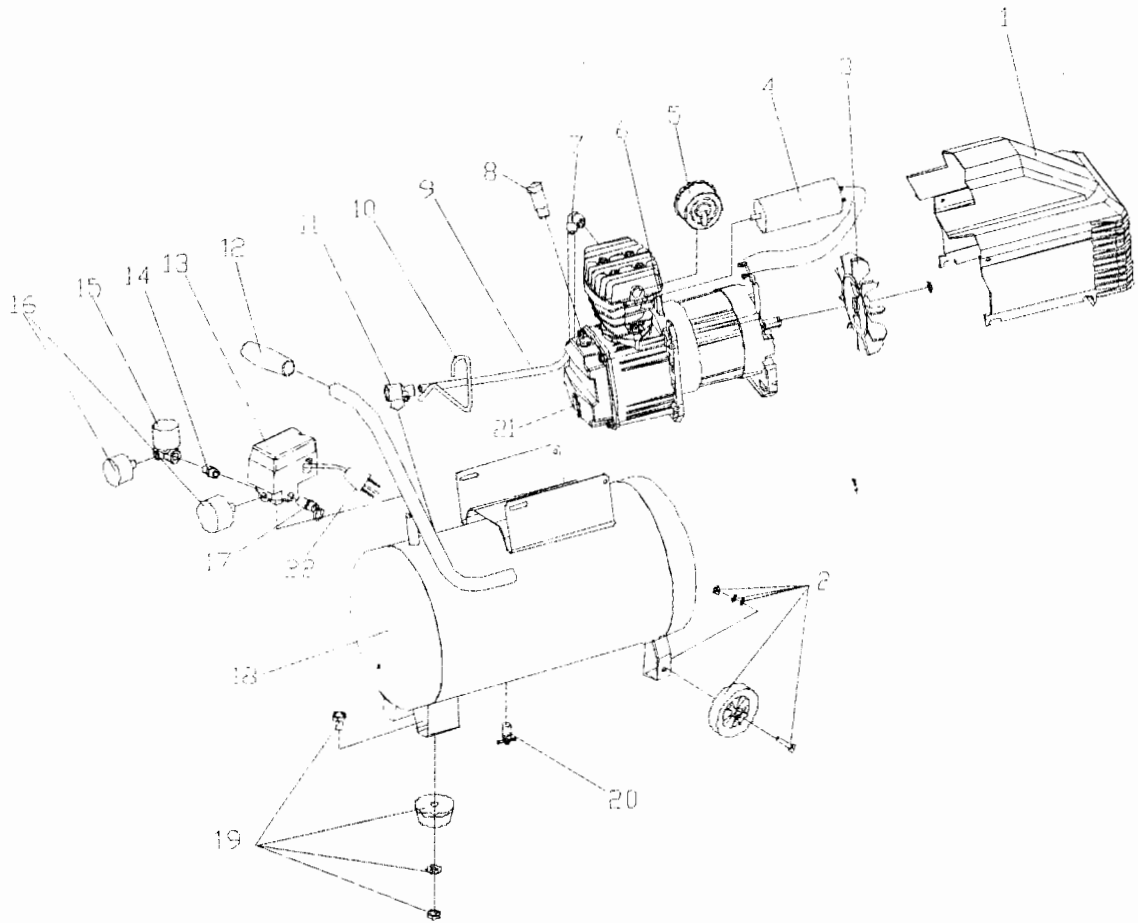


# AC02-6H

## EXPLODED VIEW



## PARTS LIST

ITEM	PART NO	QTY	DESCRIPTION	ITEM	PART NO	QTY	DESCRIPTION
1	1204-01	1	Shroud	12	1204-10	1	Handle cover
2	1204.03	2	Wheel kit	13	1204-06	1	Pressure Switch
3	1204.01-05	1	Fan	14	1204-07	1	Adapter fitting
4	1204.01-06	1	Capacitor	15	1204-08	1	Regulator
5	1204-03	1	Air filter	16	1204-09	2	Pressure gauge
6	1204.01	1	Pump/motor assembly	17	1204-05	1	Relief valve
7	1204-02	1	Elbow	18	1204-12	1	Air tank
8	1204-04	1	Oil fill plug	19	1204.02	2	Pad kit
9	1204-15	1	Transfer tube w/fins	20	1204-11	1	Drain valve
10	1204-14	1	Bleeder tub	21	1204-16	1	Oil sight glass
11	1204-13	1	Check valve	22	1204-17	1	Power cord