



Breakdown and Part list
Schéma et le liste de pièce

Reversible Vibratory Plate / *Plaque vibrante réversible*
(RVP300)

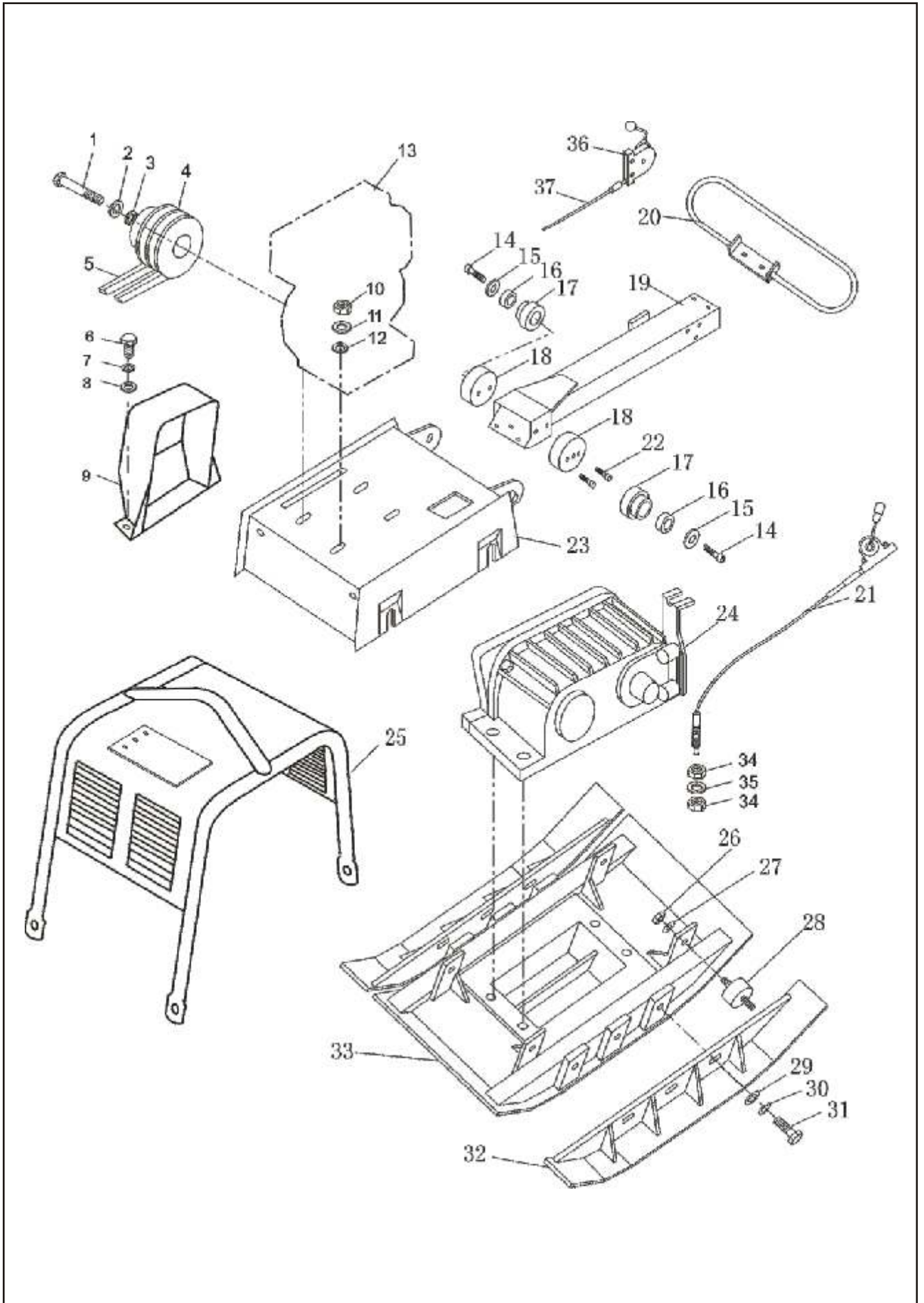


Tel.: 1-877-405-2626, Fax: 1-877-405-8686

web site: www.cm-equip.com

e-mail: info@cm-equip.com

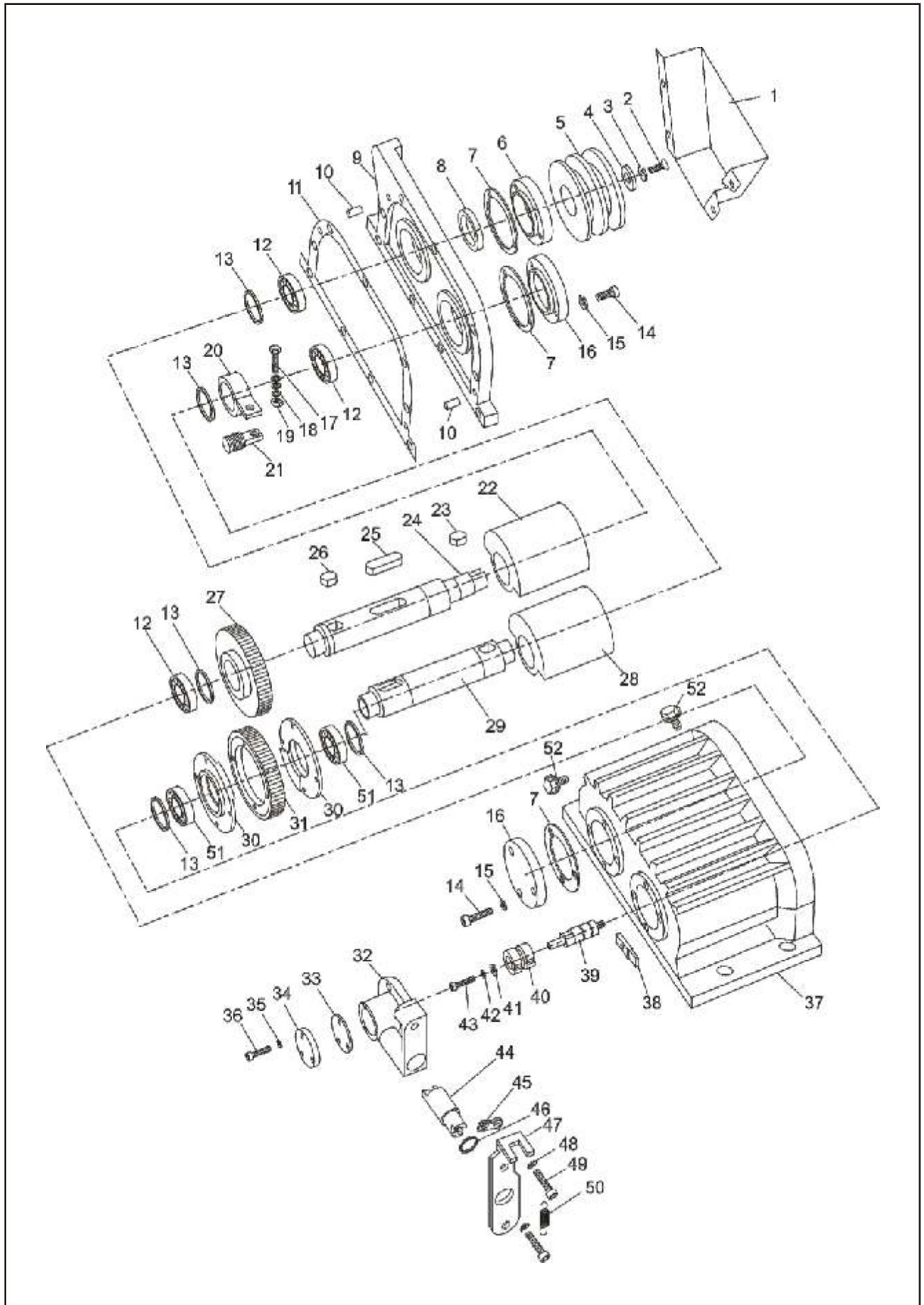
RVP300 Major Components



RVP300 Major Components

No.	Parts
RVP300-01	Hexagonal bolt M8x25
RVP300-02	Washer,lock M8
RVP300-03	Washer,plat M8
RVP300-04	Clutch assembly
RVP300-05	V-belt
RVP300-06	Hexagonal bolt M8x20
RVP300-07	Washer,lock M8
RVP300-08	Washer,plat M8
RVP300-09	Belt cover(upper)
RVP300-10	Nut M10
RVP300-11	Washer,lock M10
RVP300-12	Washer,plat M10
RVP300-13	Engine
RVP300-14	Socket head bolt M12x65
RVP300-15	Washer,plat 12.5x40x2.5
RVP300-16	Rubber
RVP300-17	Rubber coupling
RVP300-18	Shock absorber
RVP300-19	Handle
RVP300-20	Grip
RVP300-21	Vibrator control
RVP300-22	Socket head bolt M8x25
RVP300-23	Base
RVP300-24	Vibrator assembly
RVP300-25	Guard hook
RVP300-26	Nut M12
RVP300-27	Washer,lock M12
RVP300-28	Shock absorber
RVP300-29	Washer,lock M18
RVP300-30	Washer,plat M18
RVP300-31	Hexagonal bolt M18x45
RVP300-32	Extension plate
RVP300-33	Vibrating plate
RVP300-34	Nut M14x1.5x7
RVP300-35	Washer,plat M14
RVP300-36	Throttle lever
RVP300-37	Dragline
RVP300-38	Engine pulley

RVP300 Vibrator assembly



RVP300 Vibratory Part List

No.	Parts
RVP300-v01	Belt cover (blow)
RVP300-v02	Screw M8x25
RVP300-v03	Washer, lock M8
RVP300-v04	Washer, plat 8.5x32x2.5
RVP300-v05	Pulley, driven
RVP300-v06	Bearing cover/pulley
RVP300-v07	Packing
RVP300-v08	oil seal 28x50x10
RVP300-v09	Case cover
RVP300-v10	Stop dowel 8x35
RVP300-v11	Packing
RVP300-v12	Bearing 42206
RVP300-v13	Stop ring 42
RVP300-v14	Socket head bolt M6x20
RVP300-v15	Washer, lock M6
RVP300-v16	Bearing cover/shut-off
RVP300-v17	Hexagonal bolt M8x60
RVP300-v18	Spring washer M8
RVP300-v19	Nut M8
RVP300-v20	Stopper
RVP300-v21	Stop dowel M20x31-21
RVP300-v22	Eccentric rotator, drive
RVP300-v23	Key 8x7x25
RVP300-v24	Ecc.rotary shaft ,drive
RVP300-v25	Key 12x8x50
RVP300-v26	Key 12x8x20
RVP300-v27	Gear,drive
RVP300-v28	Eccentric rotator ,driven
RVP300-v29	Ecc.rotary shaft,driven
RVP300-v30	Dial plate(R/L)
Vp300-v31	Gear,driven
Vp300-v32	Cylinder
Vp300-v33	Packing
Vp300-v34	Cover,cylinder
Vp300-v35	Washer,lock M5
Vp300-v36	Socket head bolt M5x10
Vp300-v37	Vibrating case
Vp300-v38	Knock pin
Vp300-v39	Position rod
Vp300-v40	Groove
Vp300-v41	Washer, copper 5x32x2.5
Vp300-v42	Washer,lock M5
Vp300-v43	Socket head bolt M5x10
Vp300-v44	Rotator
Vp300-v45	Lever
Vp300-v46	O-ring
Vp300-v47	Holder
Vp300-v48	Washer,lock M10
Vp300-v49	Socket head bolt M10x30
Vp300-v50	Spring
Vp300-v51	Bearing 16008
Vp300-v52	Plug,oil M12x1.25x10