



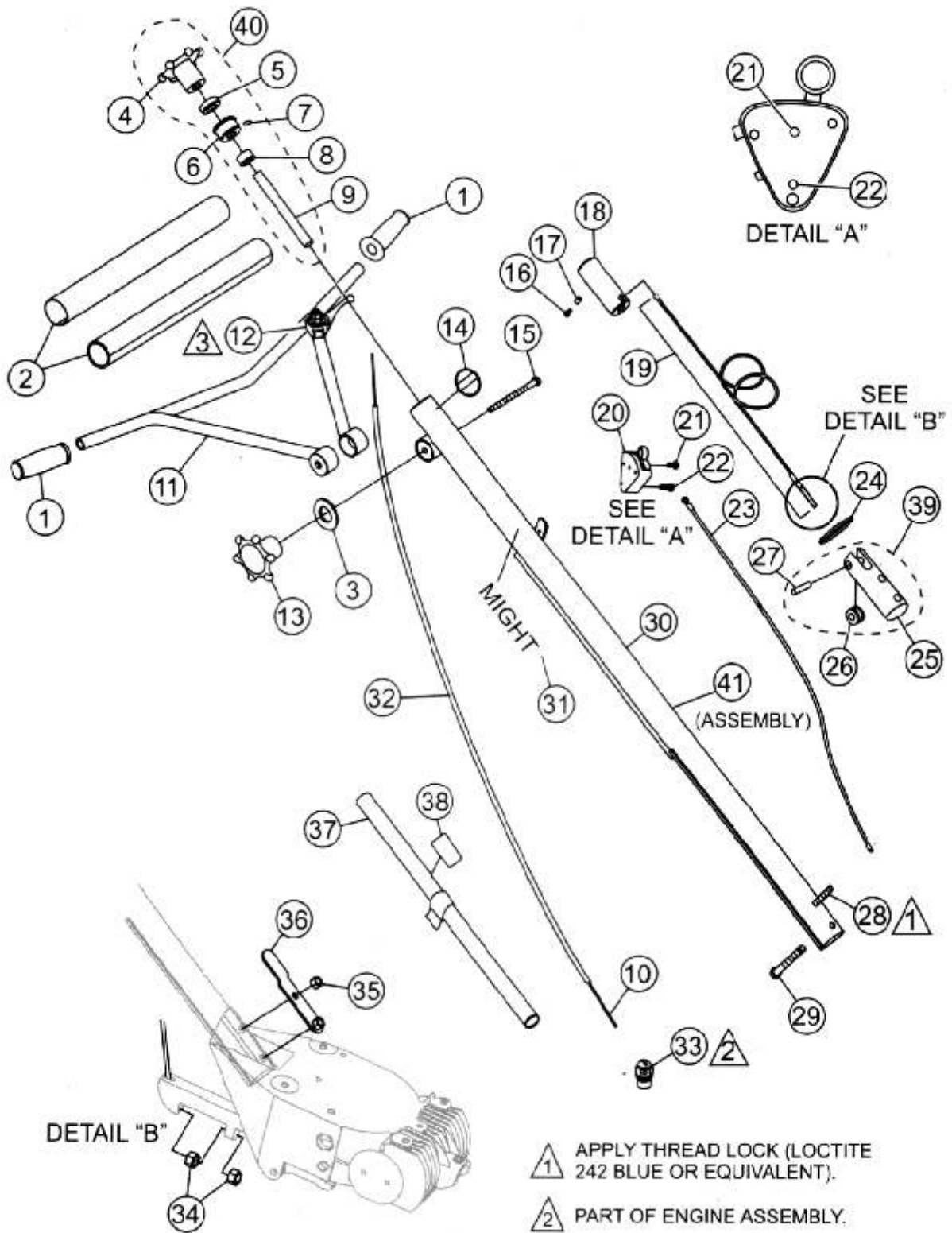
Breakdown and Part list
Schéma et le liste de pièce

Walk-behind Trowel / *Truelle*
(WT30, WT36)



Tel.: 1-877-405-2626, Fax: 1-877-405-8686
web site: www.cm-equip.com
e-mail: info@cm-equip.com

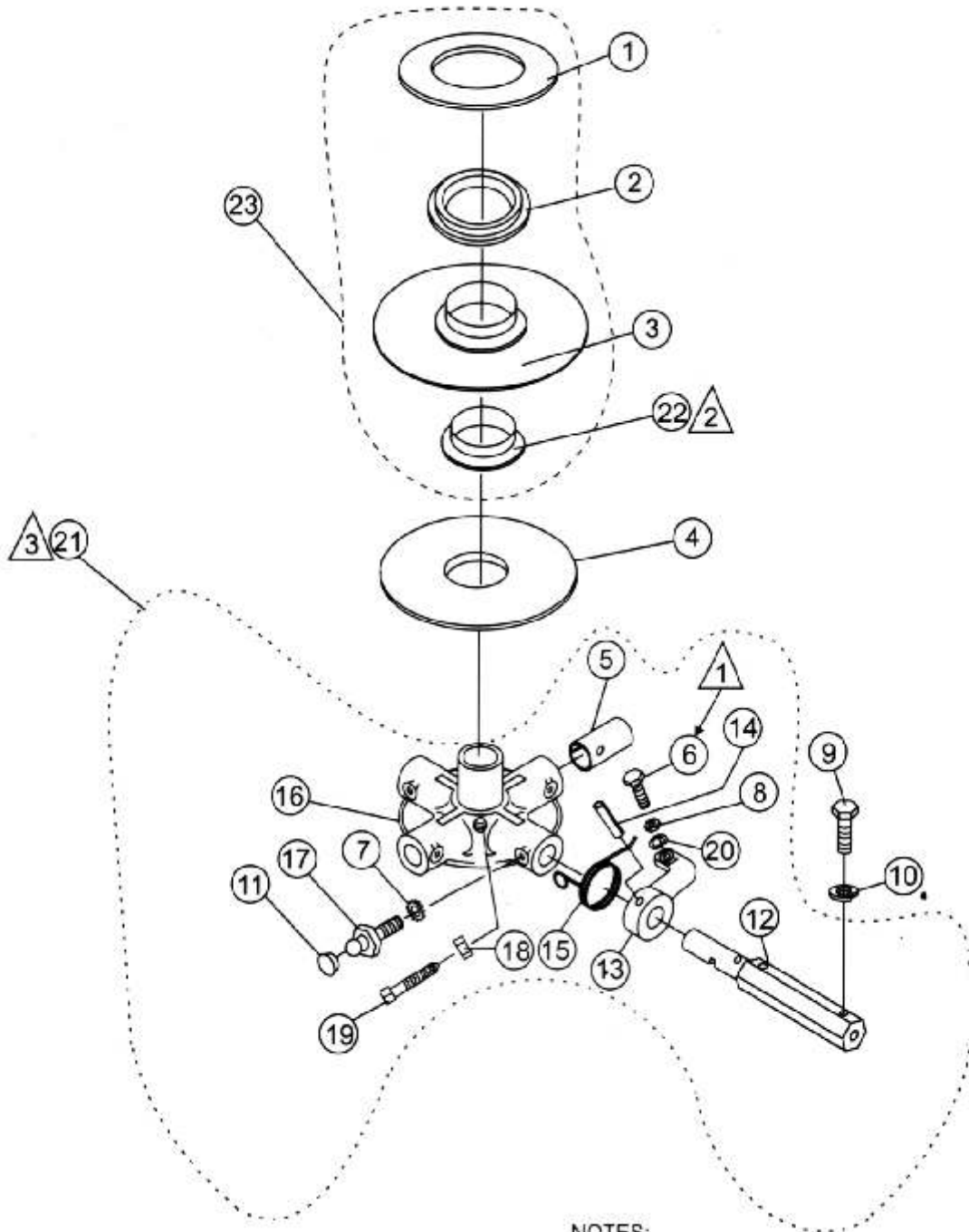
WT30 STANDARD HANDLE ASSEMBLY



WT30 STANDARD HANDLE ASSEMBLY

No.	Parts
WT30-H01	Grip, handle
WT30-H02	Cover, pad handle
WT30-H03	Washer, flat
WT30-H04	Wheel, hand handle
WT30-H05	Bearing , thrust , nice 607
WT30-H06	Bearing , trowel control
WT30-H07	Screw , SHS 3/8 -16 x 1/2
WT30-H08	Collar , set 3/4 ID
WT30-H09	Shaft , trowel control
WT30-H10	Cable , throttle
WT30-H11	Handle, adjustable
WT30-H12	Throttle
WT30-H13	Wheel assembly, hand
WT30-H14	Decal , custom 2 1/2 chrome
WT30-H15	Screw , HHC 3/8 -16 x 5.00
WT30-H16	Screw , BHC 1/4 -20 x 3/8 NYL patch , NP
WT30-H17	Spacer, 360 x 17/64 x 1/8 L
WT30-H18	Slide block trowel control
WT30-H19	Cable assembly , length 48.29" STD finisher
WT30-H20	Switch assembly, safety stop
WT30-H21	Screw , RHM 10-24 x 3/8
WT30-H22	Screw , FHSC PHILLIPS 8-32 x 1 1/4
WT30-H23	Wire assembly, safety stop switch
WT30-H24	Tie, cable TY-RAP, black
WT30-H25	Block, support
WT30-H26	Pulley, support block
WT30-H27	Pin, support block 3/8 x 1.59
WT30-H28	Screw , HHC 3/8 -16 x 3 1/2 full thread
WT30-H29	Screw , HHC 3/8 - 16 x 3 1/4
WT30-H30	Handle , STD
WT30-H31	Decal
WT30-H32	Housing, cable 74"
WT30-H33	Swivel, throttle cable
WT30-H34	Nut, brass jam 5/16-18
WT30-H35	Nut, nyloc 3/8-16
WT30-H36	Bracket, lift tube
WT30-H37	Handle, lift assembly
WT30-H38	Decal, Caution , lift handle
WT30-H39	Block, cable assembly
WT30-H40	Hand wheel assembly, pitch control
WT30-H41	Handle assembly, STHAJB

WT 30 4-BLADE SPIDER ASSEMBLY



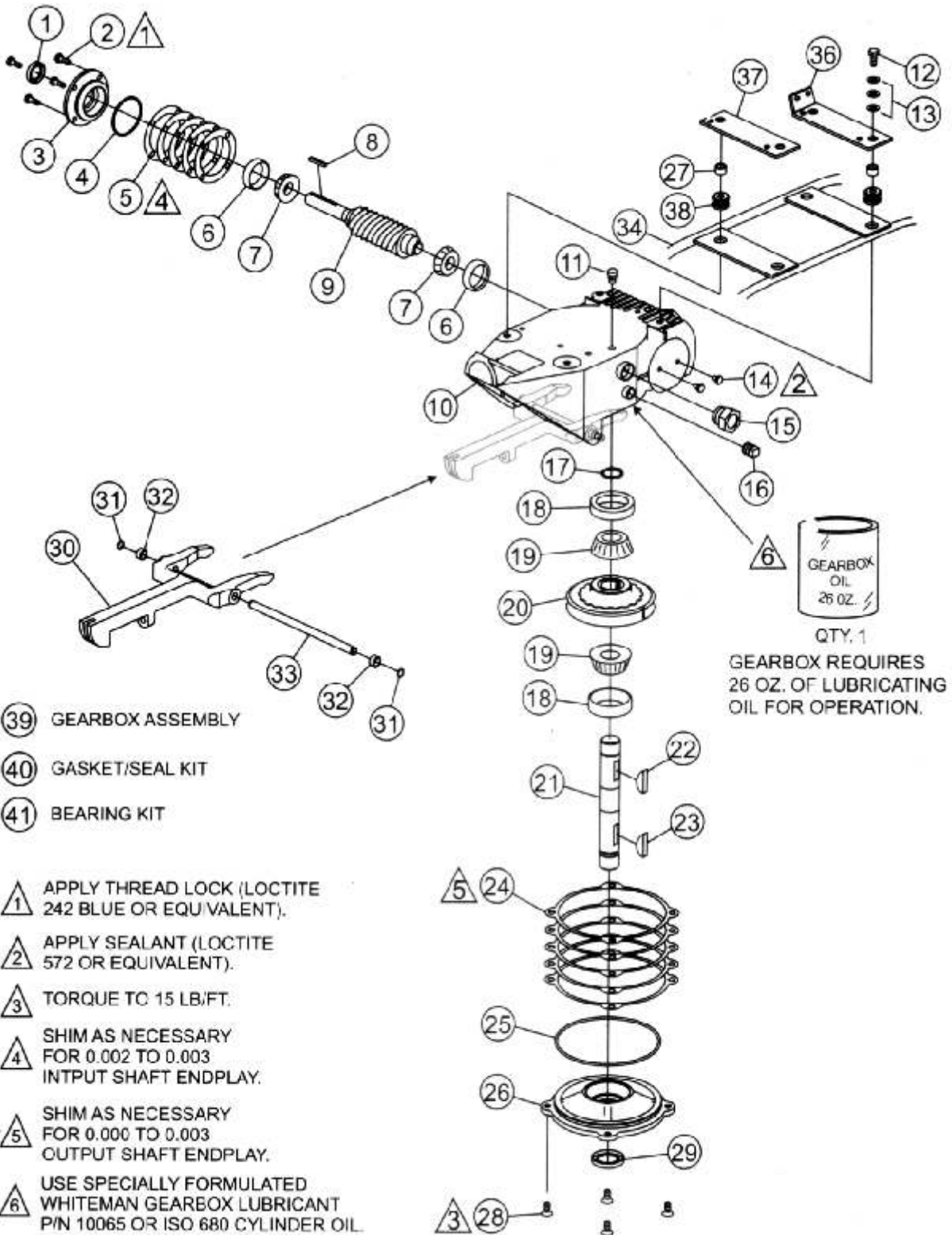
NOTES:

- ▲ 1 APPLY LOCTITE P/N 1477
- ▲ 2 INCLUDED WITH ITEM 3 OR CAN BE ORDERED SEPARATELY (P/N 1471).
- ▲ 3 SPIDER ASSEMBLY P/N 1215

WT30 4-BLADE SPIDER ASSEMBLY

No.	Parts
WT30-BS01	Wear ring
WT30-BS02	Flange bearing
WT30-BS03	Thrust collar
WT30-BS04	Wear plate
WT30- BS05	Bushing insert
WT30- BS06	Radius head 3/8 –16 x 1 - 1/4 “
WT30- BS07	INT.SHKP. washer 3/8”
WT30- BS08	Jam nut 3/8-16
WT30- BS09	HHCS 5/16-18 x 1-1/2”
WT30- BS10	Lock washer 5/16”
WT30- BS11	Lubra-cap
WT30- BS12	Trowel arm,9-1/2”
WT30- BS13	Trowel arm lever
WT30- BS14	Roll pin 5/16 x1-3/4”
WT30- BS15	Spring (right hand)
WT30- BS16	Spider plate only
WT30- BS17	Retaining screw assembly
WT30- BS18	Hex nut 3/8-16
WT30- BS19	SHSS 3/8-16 x 1-1/2” cone point
WT30- BS20	Lock washer 3/8”
WT30- BS21	Spider plate assembly
WT30- BS22	Thrust collar bushing
WT30- BS23	Thrust bearing kit

WT30 GEARBOX & ENGINE MOUNTS ASSEMBLY



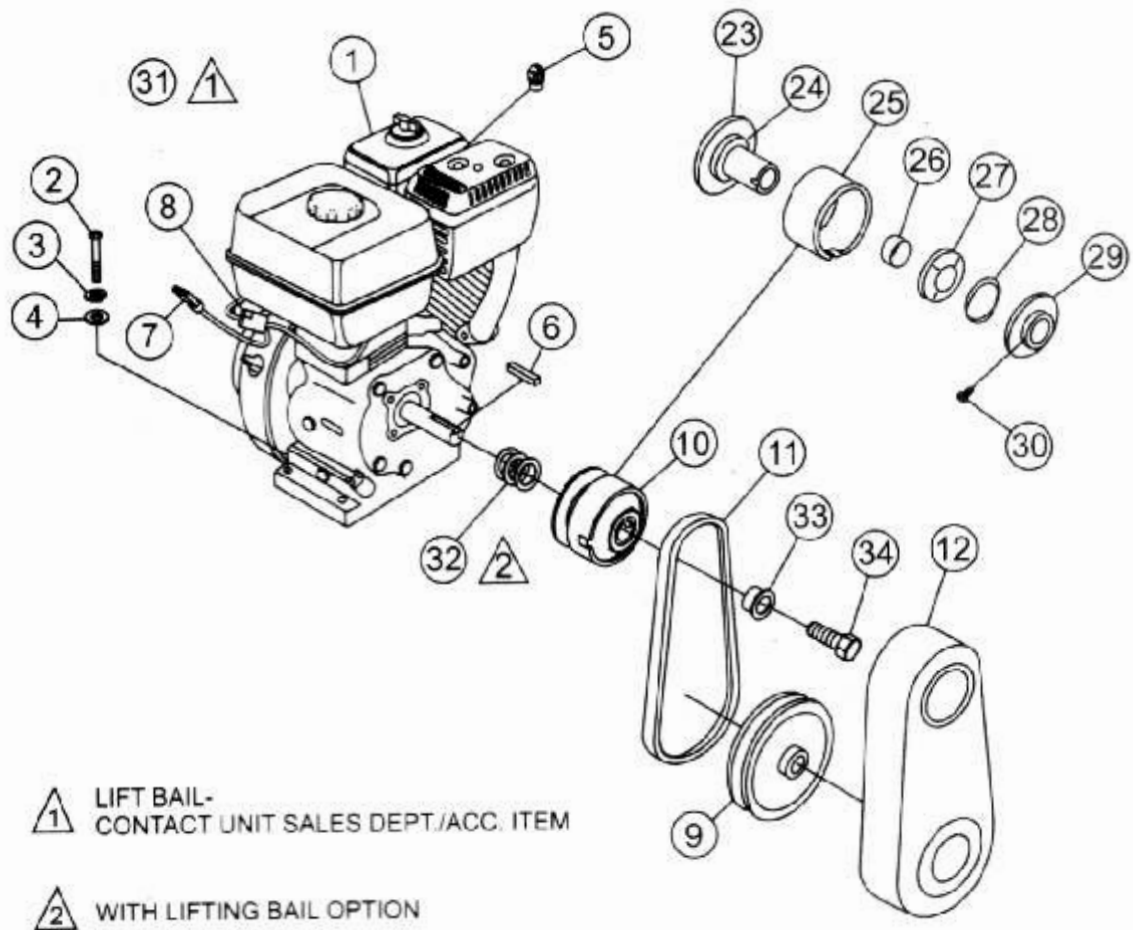
WT30 GEARBOX & ENGINE MOUNTS ASSEMBLY

No.	Parts
WT30- GB01	Seal, oil national #470954
WT30- GB02	Screw , HHC ¼ -20 x ¾
WT30- GB03	Flange , input shaft
WT30- GB04	Ring , O-139 BUNA N
WT30- GB05-1	Shim, input 0.002 thick
WT30- GB05-2	Shim, input 0.003 thick
WT30- GB05-3	Shim, input 0.005 thick
WT30- GB05-4	Shim, input 0.010 thick
WT30- GB05-5	Shim, input 0.020 thick
WT30- GB06	Bearing , cup, Timken #LM11910
WT30- GB07	Bearing , cone , Timken #LM11949
WT30- GB08	Key, square 3/16 x1-1/4
WT30- GB09	Gear, worm & shaft assembly
WT30- GB10	Case, gear
WT30- GB11	Vent, air
WT30- GB12	Screw, HHC 5/16 –18 x 3/4
WT30- GB13	Washer, flat 5/16 SAE
WT30- GB14	Screw , HHC ¼ - 28 x 3/8
WT30- GB15	Sight glass, ¾ M pipe steel
WT30- GB16	Fitting, plug 3/8 MP SQ head
WT30- GB17	Ring, snap, truarc 5100-112
WT30- GB18	Bearing, cup Timken #M86610
WT30- GB19	Bearing, cone Timken #M86647
WT30- GB20	Gear, worm, bronze
WT30- GB21	Shaft, output
WT30- GB22	Key, woodruff #21 hardened
WT30- GB23	Key, woodruff #25
WT30- GB24-1	Shim , output 0.002 thick
WT30- GB24-2	Shim , output 0.003 thick
WT30- GB24-3	Shim , output 0.005 thick
WT30- GB24-4	Shim , output 0.010 thick
WT30- GB24-5	Shim , output 0.020 thick
WT30- GB25	Ring , O-257 buna n

WT30 GEARBOX & ENGINE MOUNTS ASSEMBLY

WT30- GB26	Cover, gearbox
WT30- GB27	Bushing , guard ring
WT30- GB28	Screw, FHSC5/16-18 x 1, nyloc NP
WT30- GB29	Seal, oil, national #470712
WT30- GB30	Arm, yoke
WT30- GB31	Ring, snap, truarc5100-37 or equiv.
WT30- GB32	Spacer, .50 OD x .40 ID x 0.25 L
WT30- GB33	Pin , yoke
WT30- GB34	Stationary guard ring
WT30- GB36	Front engine mount
WT30- GB37	Rear engine mount
WT30- GB38	Grommet ¼ x .875 ID x 1-5/8 OD
WT30- GB40	Gearbox assembly
WT30- GB41	Gasket/seal kit
WT30- GB42	Bearing kit

WT30 ENGINE ASSEMBLY



WT30 ENGINE ASSEMBLY

No.	Parts
WT30- E01	Engine 5.5HP HONDA
WT30- E02	HHCS 5/16 –24 x 1- ½ “
WT30- E03	Lock washer 5/16”
WT30- E04	Flat washer 5/16”
WT30- E05	Swivel , throttle cable
WT30- E06	Square key ¼ x ¼ x 1.1/2
WT30- E07	Wire, safety switch
WT30- E08	Connector , splice tap
WT30- E09	Pulley , AK-51X ¾
WT30- E10	Automatic clutch assembly ¾” bore
WT30- E11	Belt , A26 gates HP11 only
WT30- E23	Spindle , clutch ¾” bore
WT30- E24	Bearing , shielded
WT30- E25	Clutch housing drum
WT30- E26	Bushing , clutch housing drum
WT30- E27	Weight , clutch
WT30- E28	Spring
WT30- E29	Plate , clutch expansion
WT30- E30	Screw, SHS 3/8 –24x ½ cup pt zinc
WT30- E31	Lift bail (not shown)
WT30- E32	Spacer
WT30- E33	Plug, end (clutch)
WT30- E34	Screw, FHSC 5/16 –24 x 1-1/4 PLTD