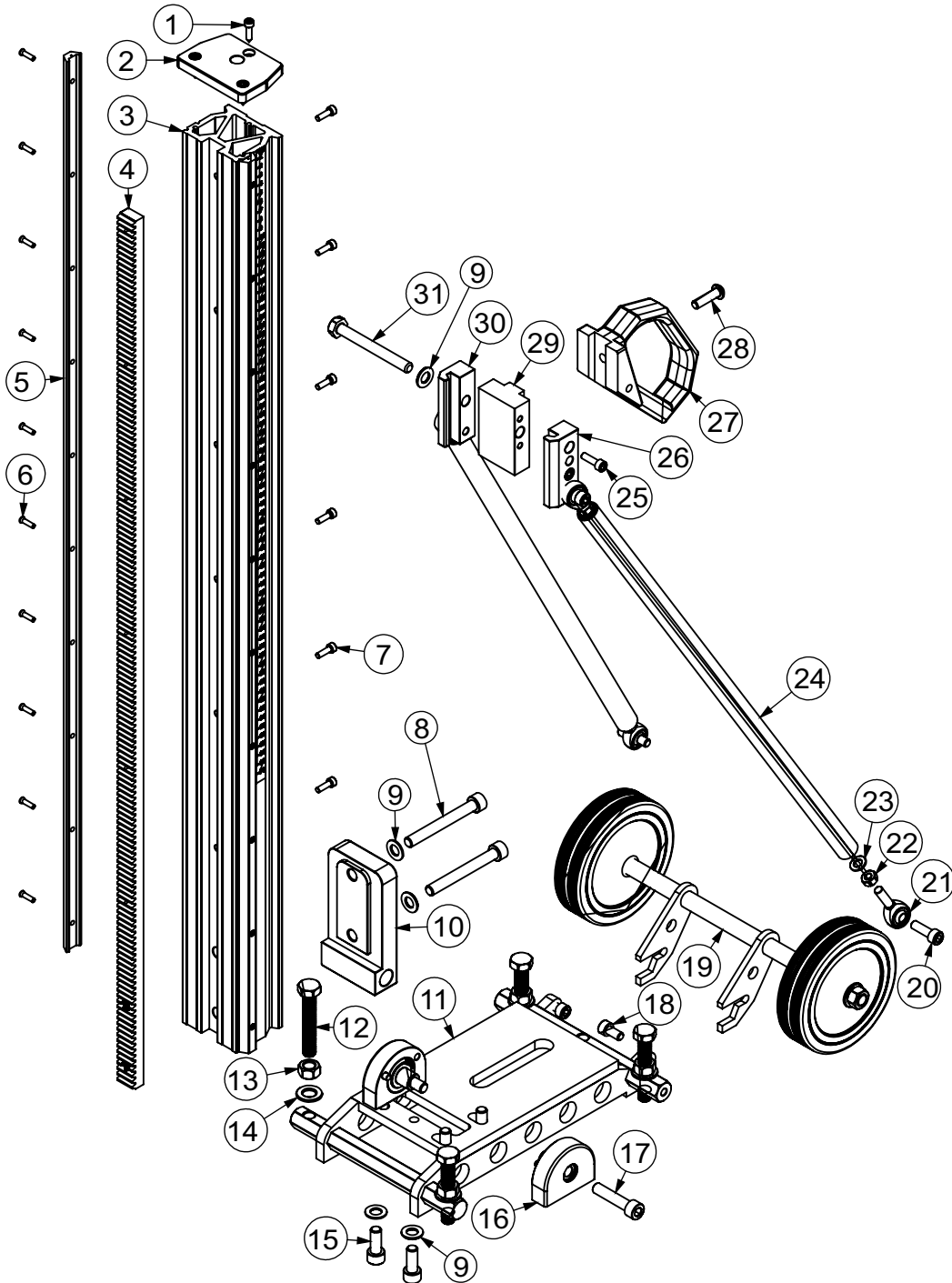




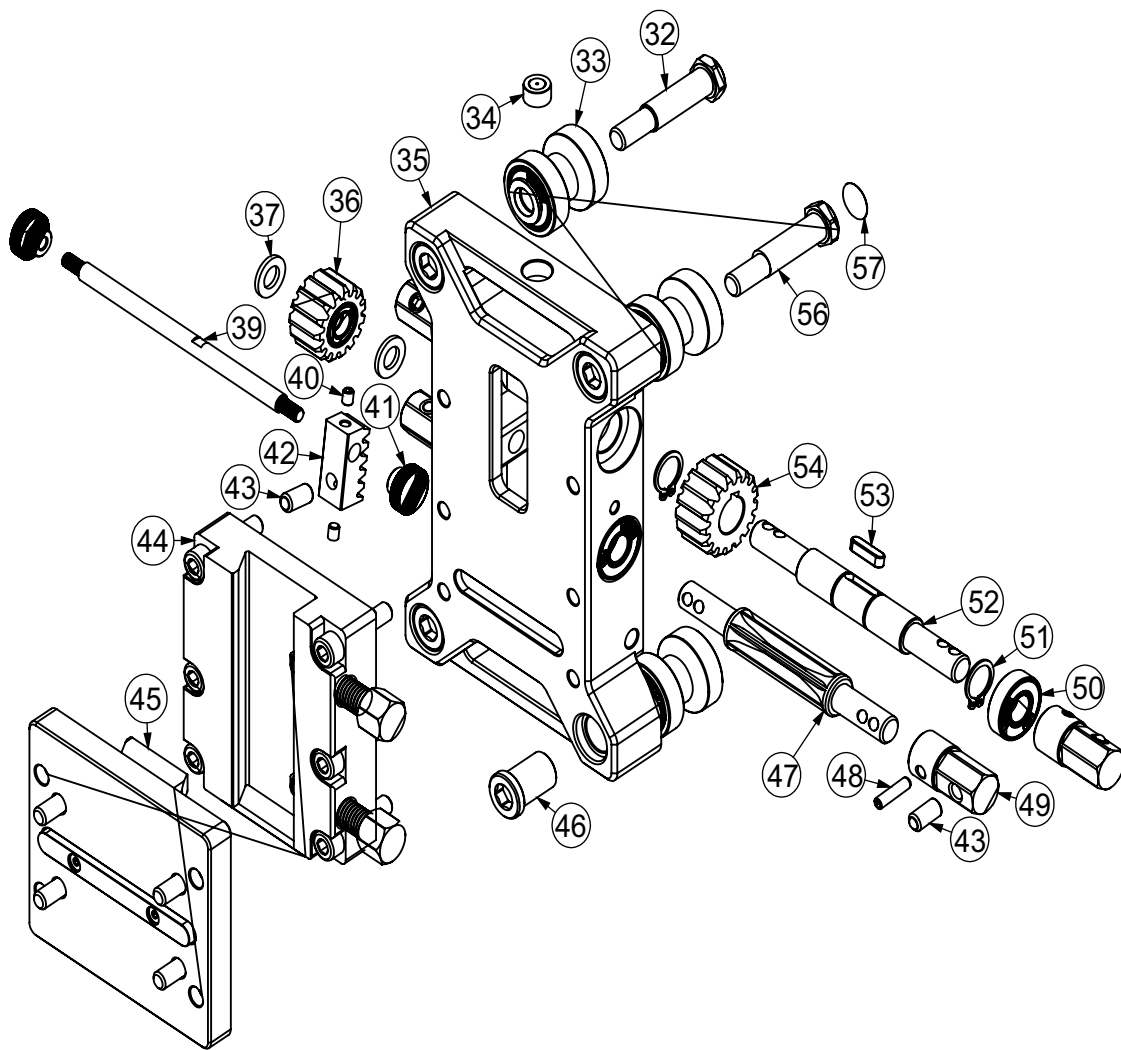
Breakdown

CD Stand14roll





Item	part	qty
CD S14-1	tapping screw	3
CD S14-2	column cover	1
CD S14-3	aluminium column	1
CD S14-4	steel rack	1
CD S14-5	track	2
CD S14-6	screw	20
CD S14-7	hex-socket bolt	6
CD S14-8	hex-socket bot	2
CD S14-9	washer	7
CD S14-10	column fixing plate	1
CD S14-11	baseplate	1
CD S14-12	hex bolt	4
CD S14-13	name	4
CD S14-14	washer	4
CD S14-15	hex-socket bolt	4
CD S14-16	base fixing adapter	2
CD S14-17	hex-socket bolt	2
CD S14-18	hex-socket bolt	2
CD S14-19	wheel set	1
CD S14-20	hex-socket bolt	4
CD S14-21	bearing	4
CD S14-22	nut	4
CD S14-23	washer	4
CD S14-24	support bar	2
CD S14-25	hex-socket bolt	2
CD S14-26	clammer A	1
CD S14-27	clammer middle	1
CD S14-28	clammer B	1
CD S14-29	grip	1
CD S14-30	hex-socket bolt	1
CD S14-31	hex bolt	1



Item	part	qty
CD S14-32	shaft	2
CD S14-33	roller	4
CD S14-34	level	1
CD S14-35	carriage	1
CD S14-36	bridge gear	1
CD S14-37	washer	2
CD S14-38	bridge gear shaft	1
CD S14-39	brake shaft	1
CD S14-40	socket set screw	2
CD S14-41	brake nut	2
CD S14-42	brake gear	1
CD S14-43	socket ball screw	5
CD S14-44	fixing plate	1
CD S14-45	motor plate	1
CD S14-46	socket nut	4
CD S14-47	gear	1
CD S14-48	pin	4
CD S14-49	hex piece	4
CD S14-50	bearing	4
CD S14-51	circlip	2
CD S14-52	main shaft	1
CD S14-53	key	1
CD S14-54	main gear	1
CD S14-55	socket set screw	2
CD S14-56	eccentric shaft	2
CD S14-57	scale	2